

HI-ST

Installation horizontal



General aspects for installing HI-ST façade panels

Product safety

It is necessary to consider the information given on the product safety sheet that is available from the Technical Service.

Precautions

During installation, it is preferable to use rubber footwear and to remove chips after cutting to avoid scratching. Arranging concentrated loads should also be avoided when assembling the panels to prevent the appearance of dents and deformations.



Installation accessories

For proper assembly, the following types of finishes and accessories need to be available, as well as other specific flashing elements for each project, and which HUURRE can provide:



Omega



Counter-omega



Starting part



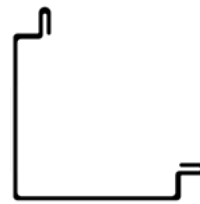
Self-drilling screw equipped for sandwich panels



Load distribution part



Weatherstripping or sealant



Flashing Outer corner angle



Flashing Inner corner angle





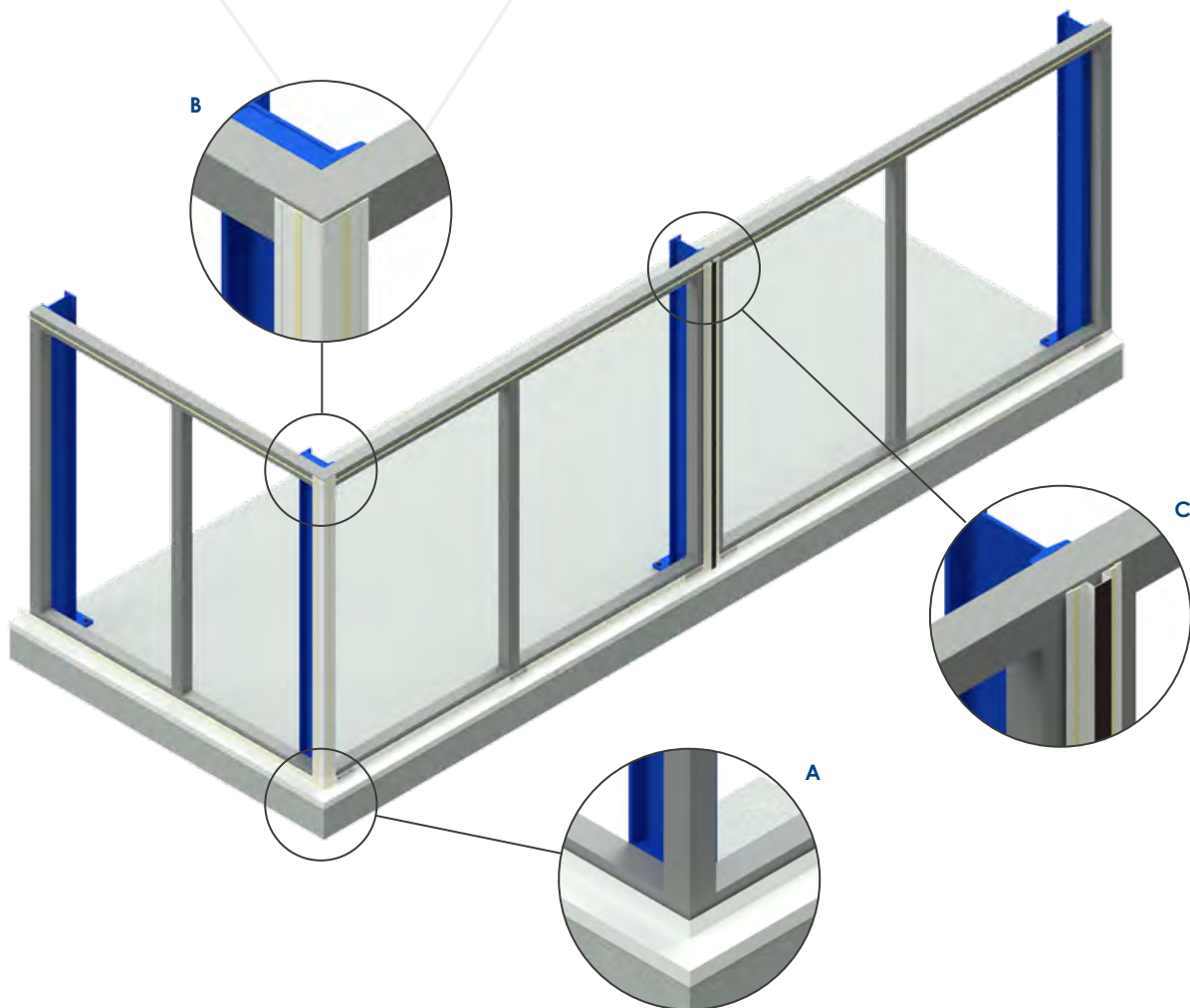
Façade panel assembly (horizontal)

Considerations

The steel structure must be duly aligned and levelled. The panels must always be installed starting on the female side. The construction details of the structure and the flashing accessories are guidelines, and they can vary from one project to another. Purlins used as substructure: TZ-EC.

Installation procedure

1. Substructure levelling and alignment.



A. Align the gutter and attach it with flat-headed screws.

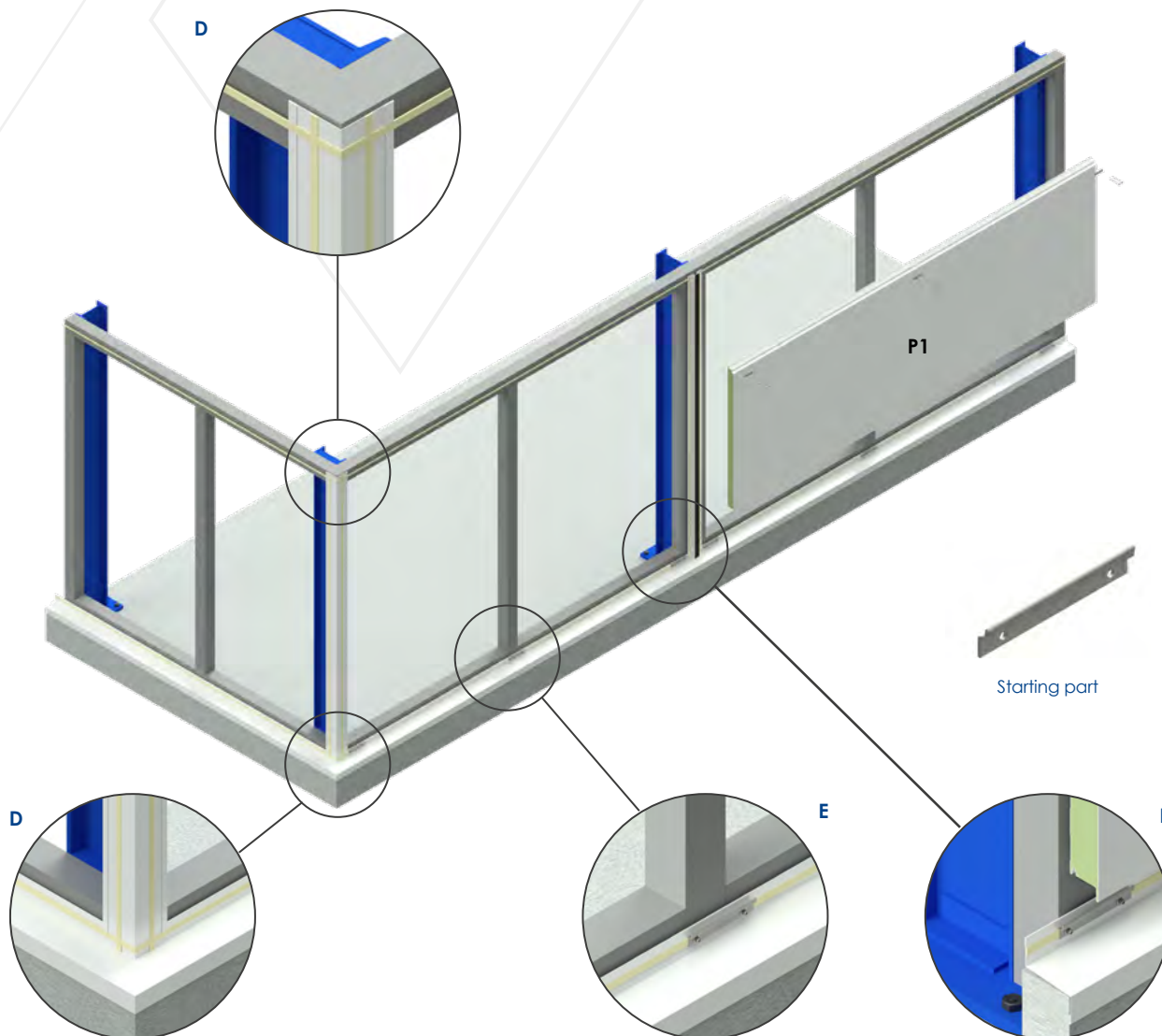
B. Align and level the inner corner piece. Apply a \varnothing 6 mm sealing bead or weatherstripping before laying the panel.

C. Align and level. Before laying the panel, apply a \varnothing 6 mm sealing bead or weatherstripping on both sides of the section.



Installation procedure

2. Laying starting parts and first panel.

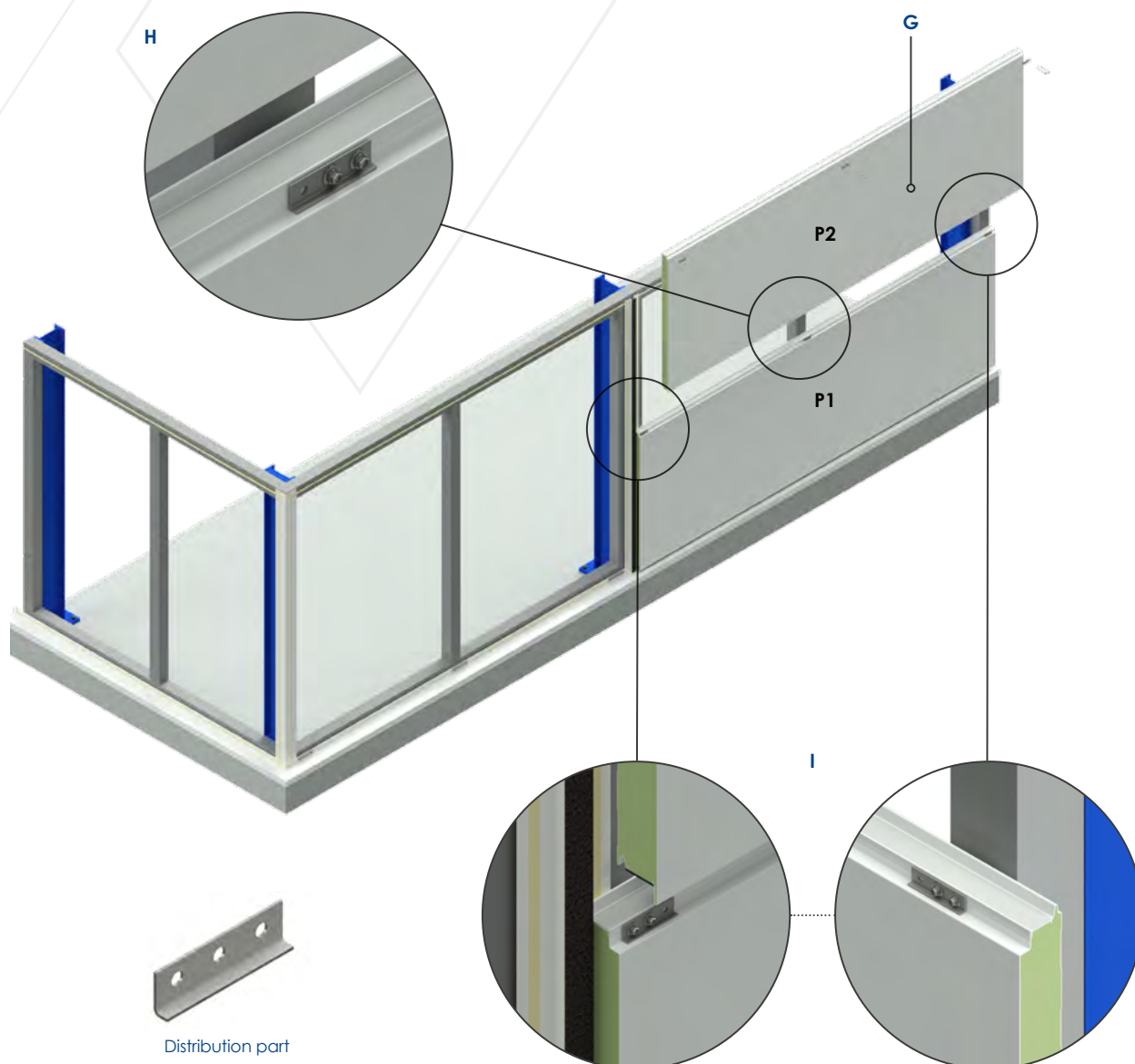


- D.** To achieve optimum waterproofing, apply a \varnothing 6 mm sealant bead or weatherstripping around the entire perimeter of flashing before laying the panel: upper and lower purlin and in the perimeter corners (TZ-C).
- E.** Aligned laying of starting parts in each column.
- F.** Locate and install the first HI-ST panel making sure that it is correctly levelled and fits against the previously installed starting parts. On the inner part, a 5 mm space must be left between the outer layer of the panel and the gutter in order to allow the water to drain correctly.



Installation procedure

3. Attaching first panel and laying second panel.



G. Align and fit the second HI-ST panel to the previously installed panel.

H. Attach the panel by laying a distribution plate on each column with a self-drilling screw for sandwich panels and \varnothing 16 mm washer with waterproof seal.

I. In order to seal the air, apply a \varnothing 6 mm sealant bead or weatherstripping to the distribution plates at the ends of the panel.

NOTE: The number of attachment screws will depend on the wind loads to be withstood and the distance between the supports.

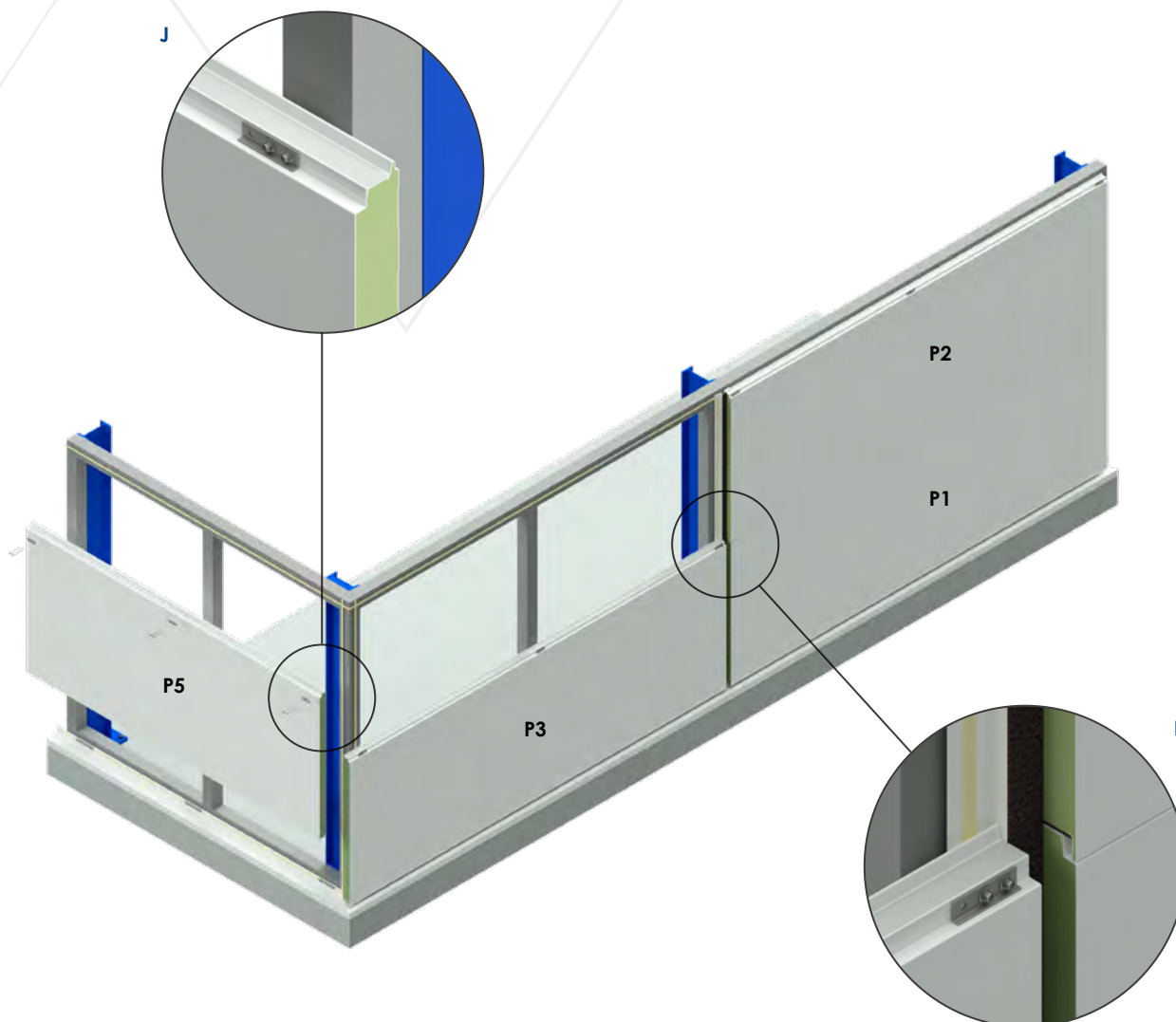
HI-ST

Installation horizontal



Installation procedure

4. Placement of the following panels.



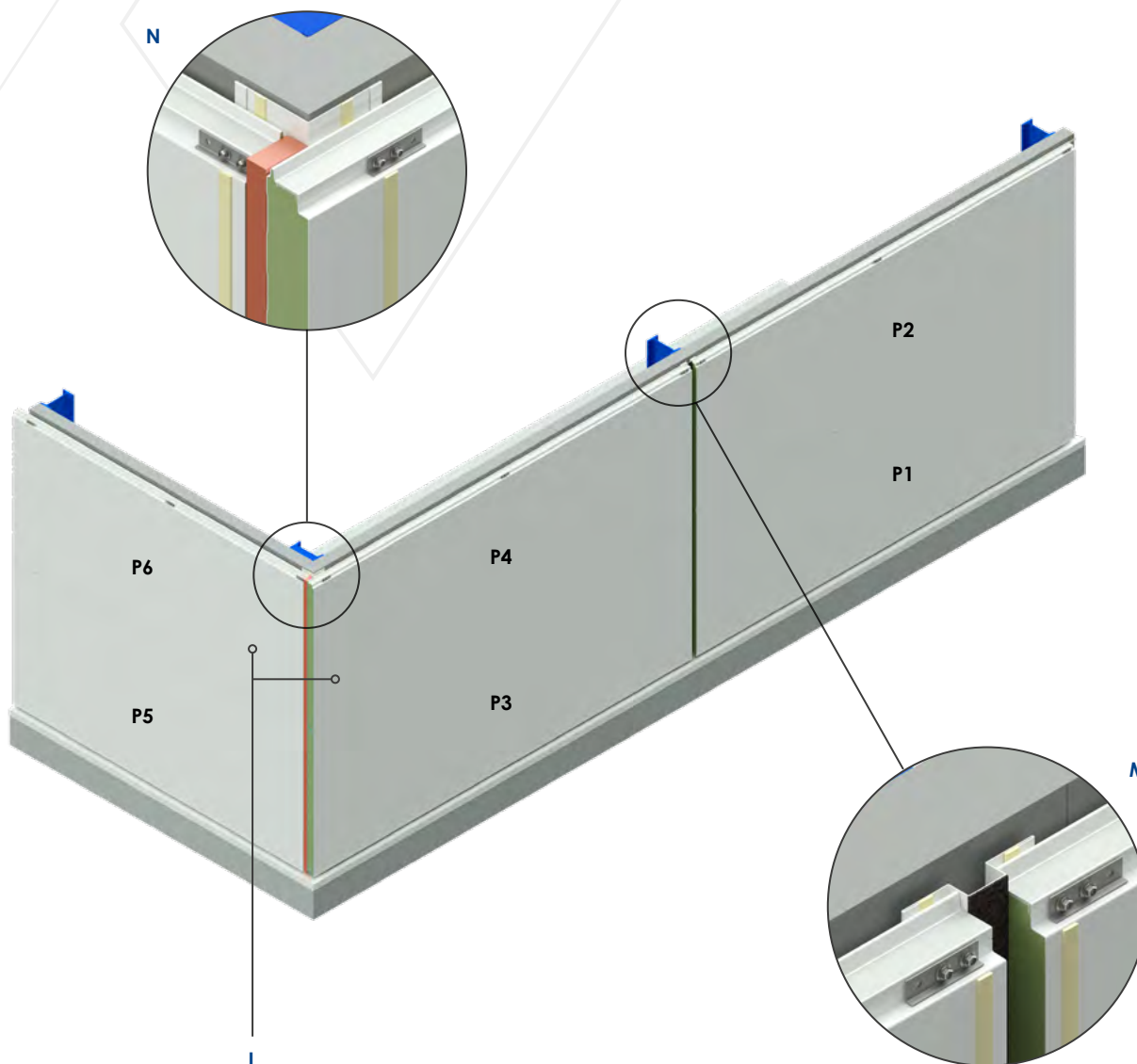
J. Install the next P3 panel, by following step number 3.

K. When the corner is reached, we start assembly and repeat the steps described above.



Installation procedure

5. Installation of corner panels and horizontal joint between panels.



L. Install the next panels by following step number 3.

M. Use a gun to apply a sealant bead on both ends of the panel, coinciding with the omega flashing to be laid subsequently, in order to ensure waterproofing.

N. Seal the gap between panels with single component polyurethane foam Bs-1,d0 (or similar) to maintain the thermal insulation in the corners.

Apply two sealant beads using a gun, along the lines that will coincide with both flanges of the corner flashing, in order to ensure the waterproofing.

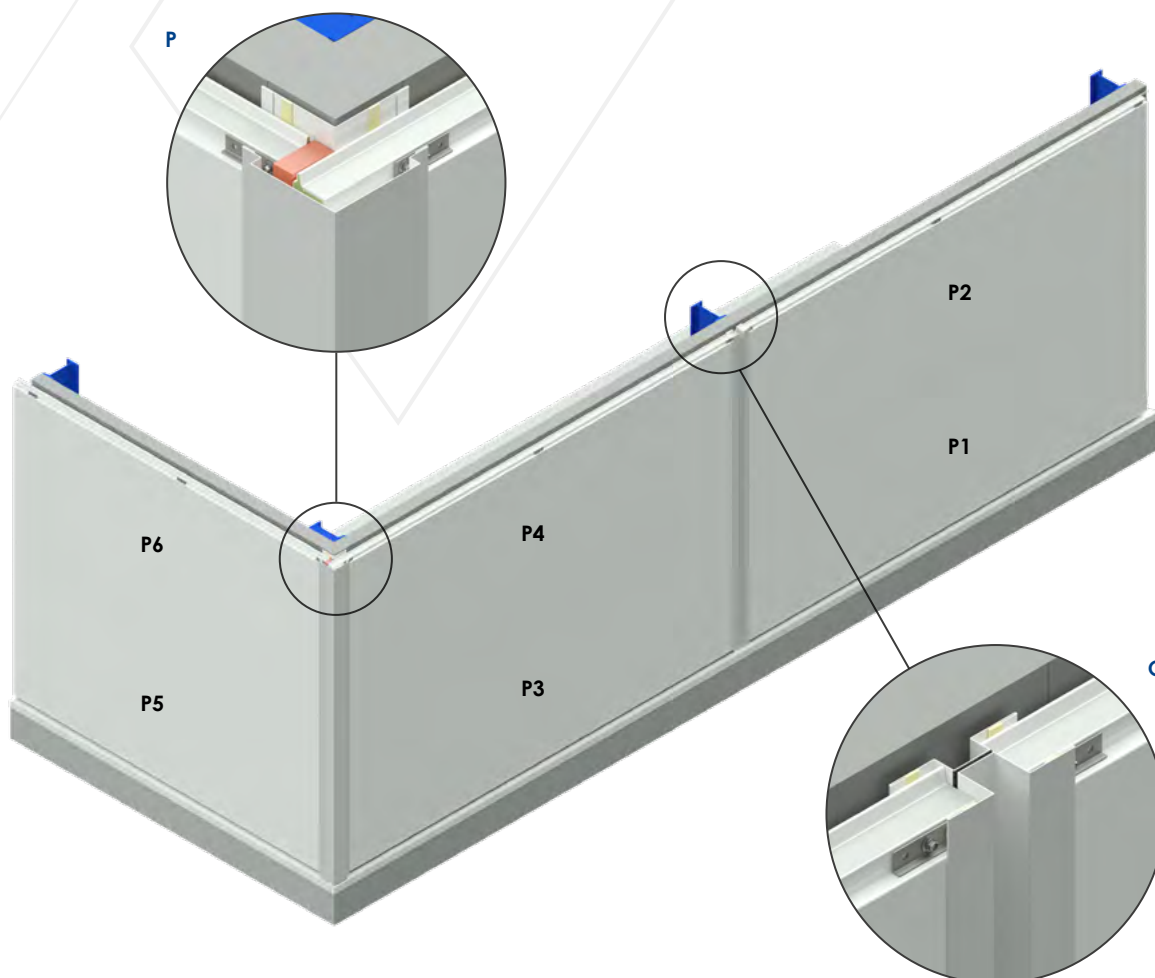
HI-ST

Installation horizontal



Installation procedure

6. Laying the corner flashings and the embellishers on vertical joints.



O. Panel joint section for laying omega flashing.

P. Finished corner section.



ER-0947/1998



SST-0035/2010



GA-2003/0091



Huurre Ibérica S.A.U.

Crta. C-65, km 16
E17244 Cassà de la Selva

Girona (Spain)

☎ (+34) 972 463 085

📠 (+34) 972 463 208

✉ huurre@huurreiberica.com



HUURRE IBÉRICA reserves the right to modify the content of this document without prior notice. Every effort has been made to ensure that the content of this publication is accurate, but HUURRE IBÉRICA and its affiliated companies are not responsible for errors or information that may be misleading. Suggestions regarding the final use or application of the products or work methods are merely informative and HUURRE IBÉRICA and its subsidiaries do not accept any responsibility in this regard.