

HI-ST

Installation vertical



General aspects for installing HI-ST façade panels

Product safety

It is necessary to consider the information given on the product safety sheet that is available from the Technical Service.

Precautions

During installation, it is preferable to use rubber footwear and to remove chips after cutting to avoid scratching. Arranging concentrated loads should also be avoided when assembling the panels to prevent the appearance of dents and deformations.



Installation accessories

For proper assembly, the following types of finishes and accessories need to be available, as well as other specific flashing elements for each project, and which HUURRE can provide:



Starting part



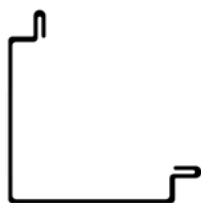
Weatherstripping or sealant



Self-drilling screw equipped for sandwich panels



Load distribution part



Flashing
Outer corner angle



Flashing
Inner corner angle



Flashing
Gutter





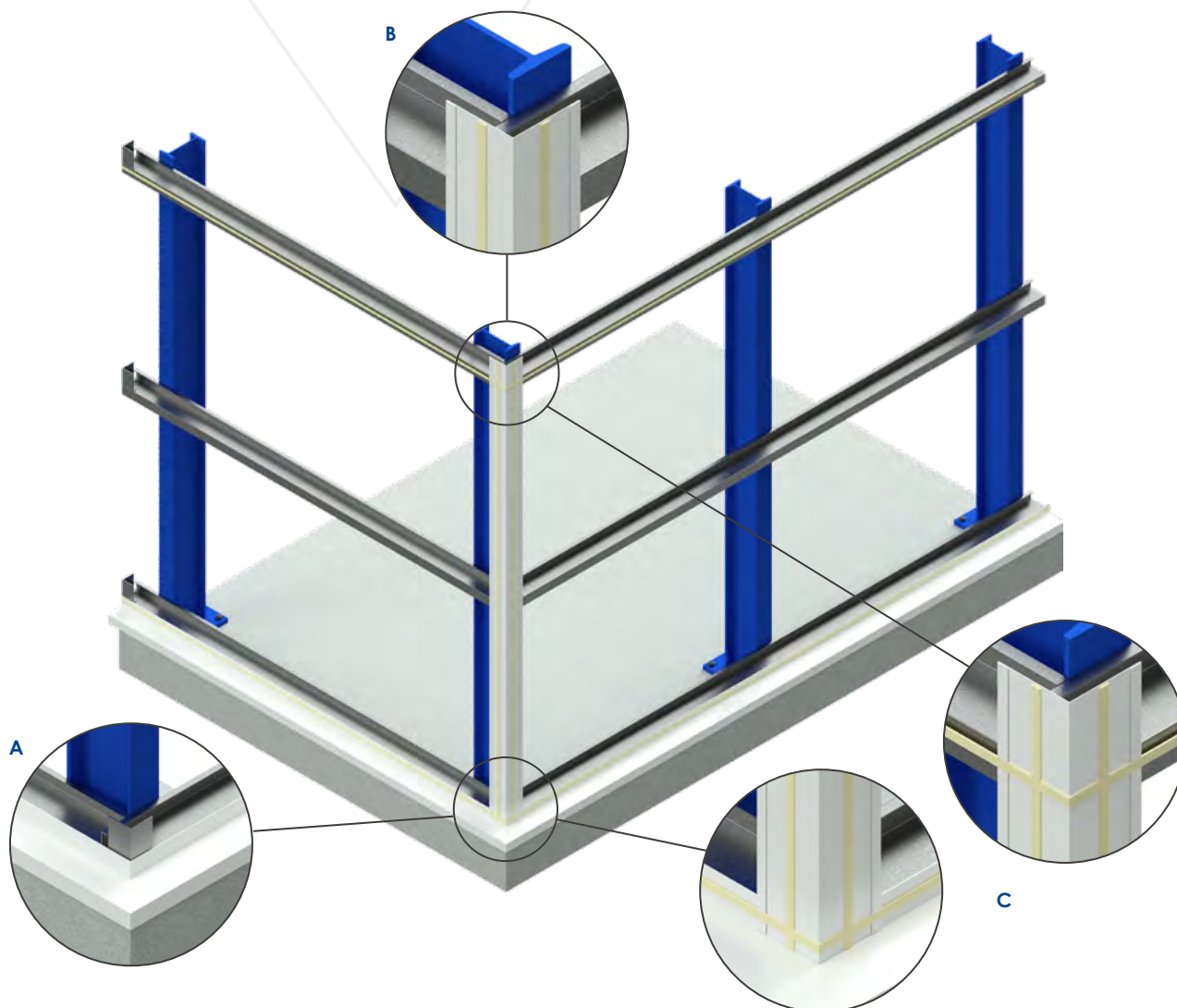
Façade panel assembly (vertical)

Considerations

The steel structure must be duly aligned and levelled. The panels must always be installed starting on the female side. The construction details of the structure and the flashing accessories are guidelines, and they can vary from one project to another. Purlins used as substructure: TZ-EC.

Installation procedure

1. Substructure levelling and alignment. Laying sealant beads for optimum waterproofing.



A. Align the gutter and attach it with flat-headed screws.

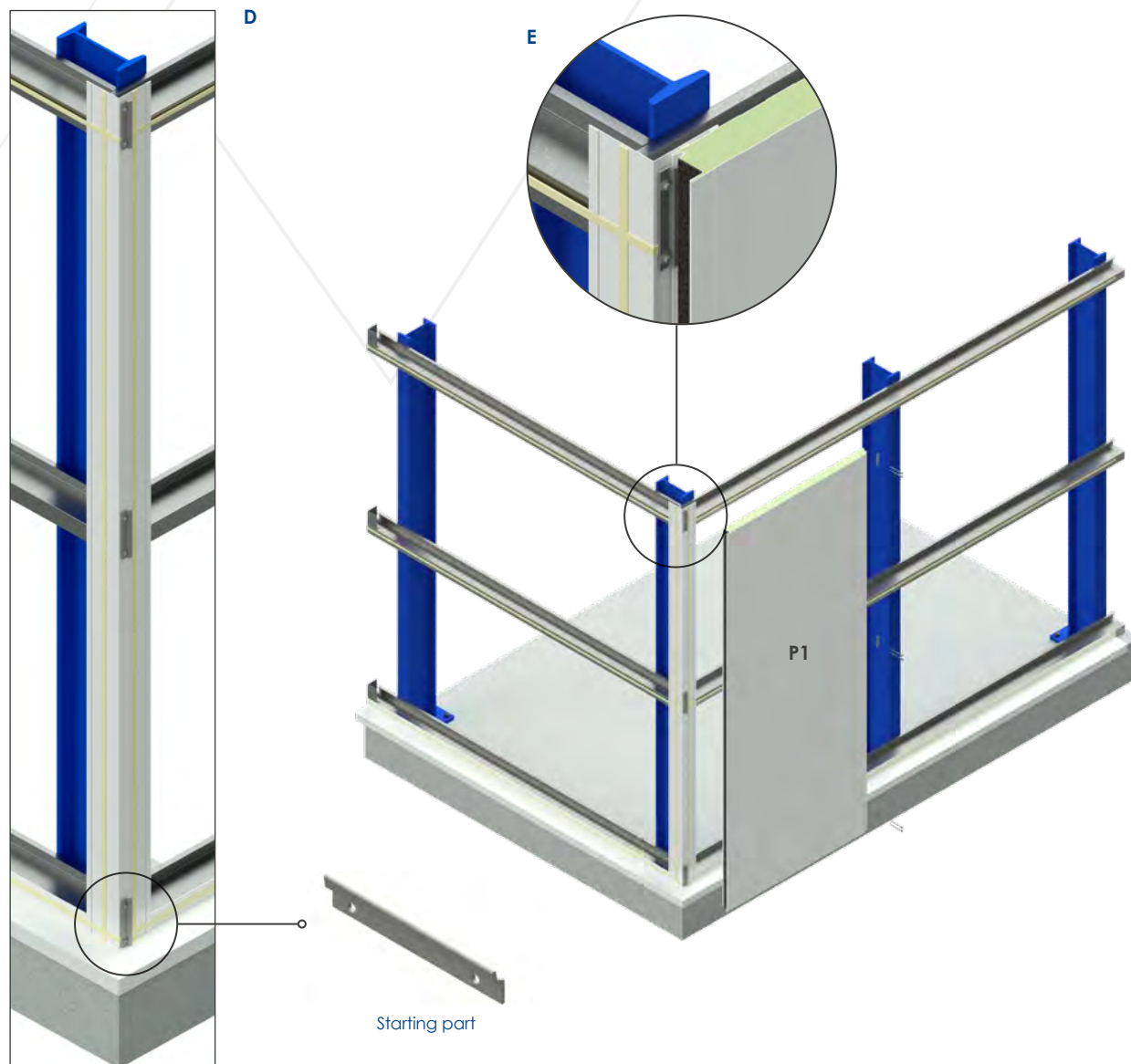
B. Align and level the inner corner piece angle. Apply a \varnothing 6 mm sealing bead or weatherstripping before laying the panel.

C. Align and level the counter-omega. Apply a \varnothing 6 mm sealing bead or weatherstripping before laying the panel, on both sides of the section.



Installation procedure

2. Laying the starting parts between columns and laying the first panel.



D. Aligned laying of starting parts.

E. Locate and install the first HI-ST panel making sure that it is correctly levelled and fits against the previously installed starting parts. Depending on the corner flashing, the starting part can be replaced through attachments. On the inner part, a 5 mm space must be left between the outer layer of the panel and the gutter in order to allow the water to drain correctly.

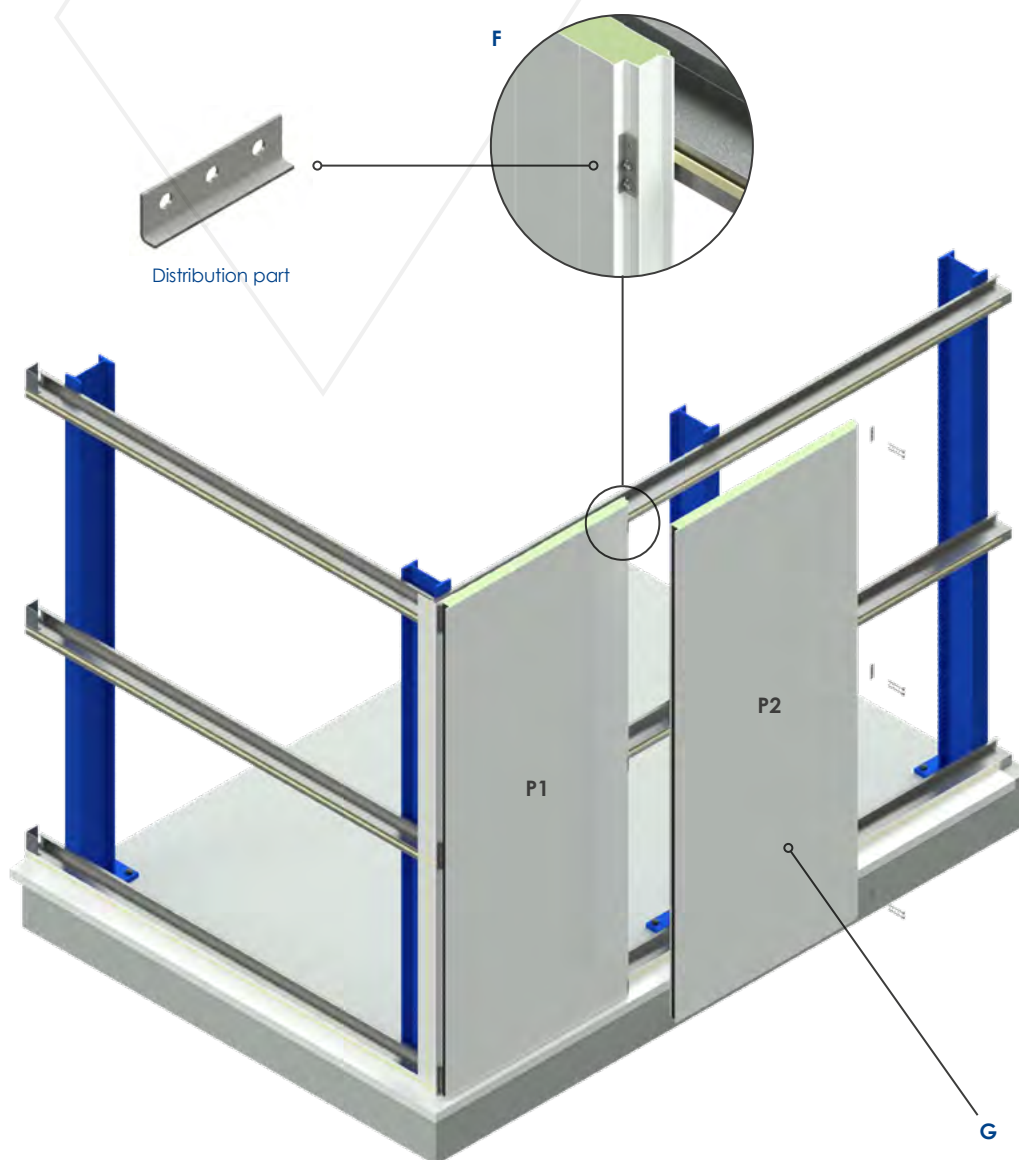
HI-ST

Installation vertical



Installation procedure

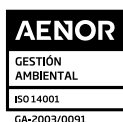
3. Attaching the first panel and laying the second panel.



F. Attach the panel in each purlin with self-drilling screws including \varnothing 16 mm EPD washers. A distribution plate can be used to distribute the load better.

G. Align and fit the second HI-ST panel to the previously installed panel.

NOTE: The number of attachment screws will depend on the wind loads to be withstood and the distance between the supports.



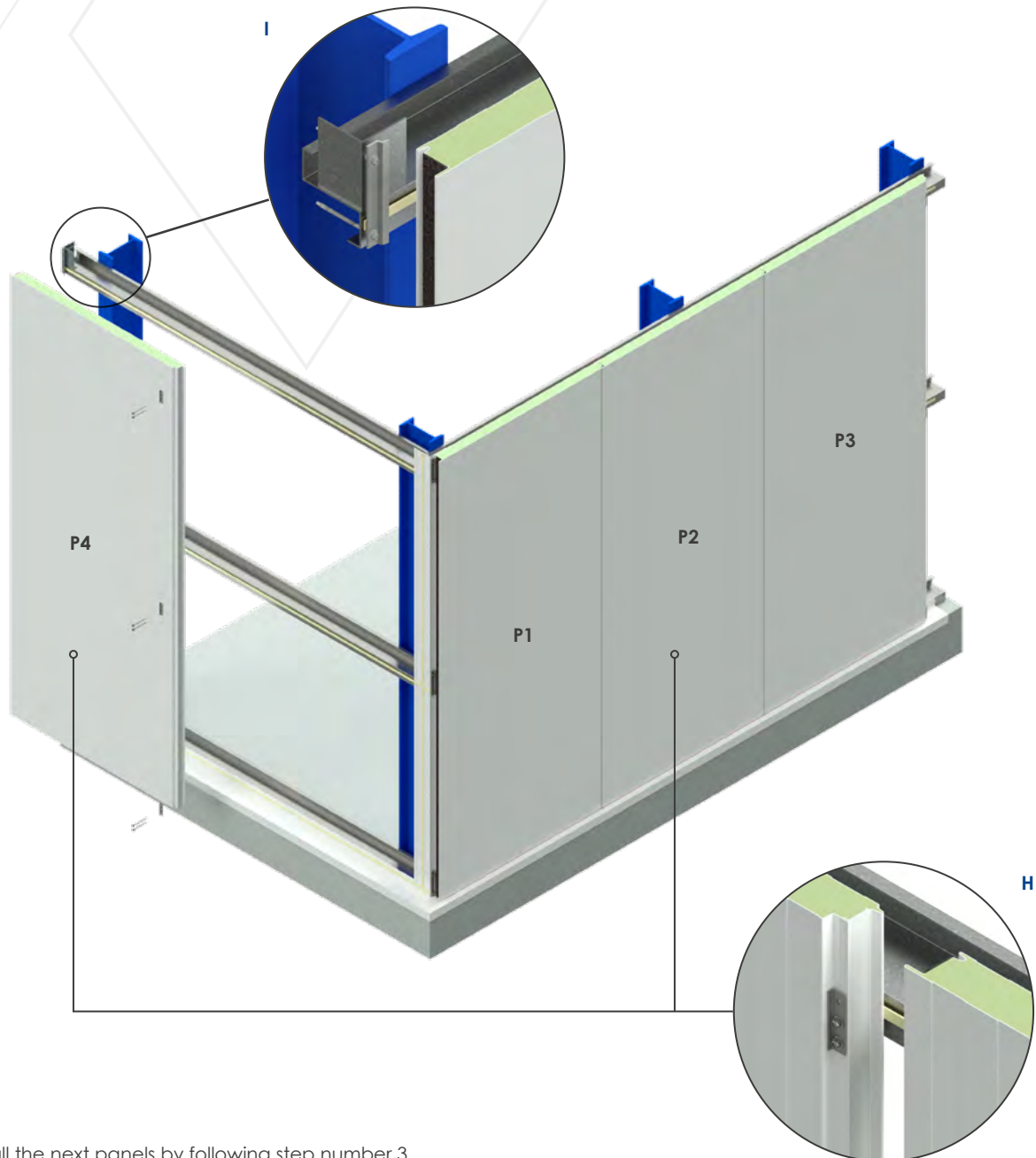
HI-ST

Installation vertical



Installation procedure

4. Laying the following panels.



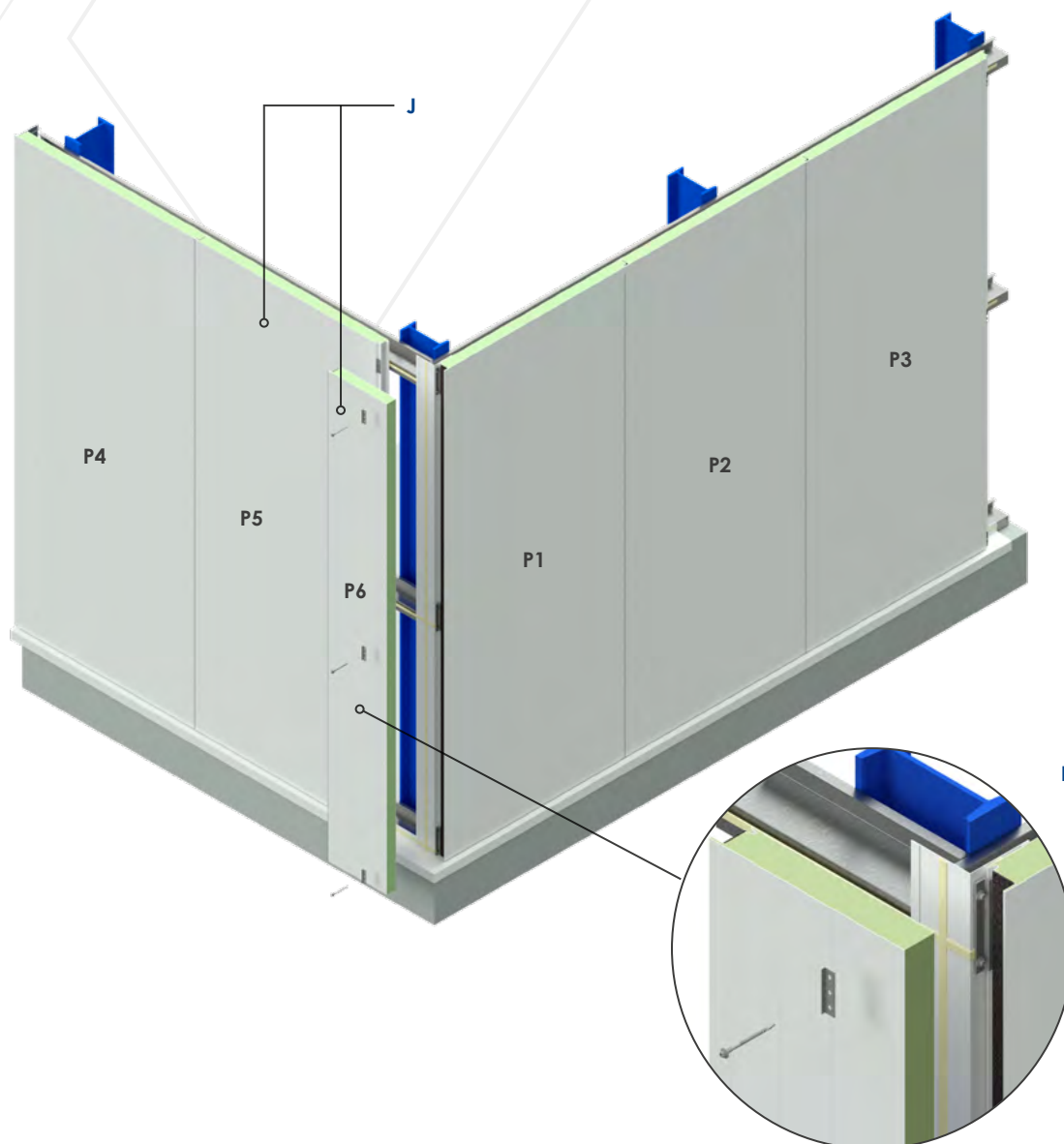
H. Install the next panels by following step number 3.

I. At the next corner, we start assembly and repeat the steps described above.



Installation procedure

5. Installation of panels in corner.



J. Install the subsequent panels by following step 3.

K. Cut the last panel by following the recommendations on the panel handling data sheet and install using a visible attachment. The number of attachment screws will depend on the wind loads to be withstood and the distance between the supports.

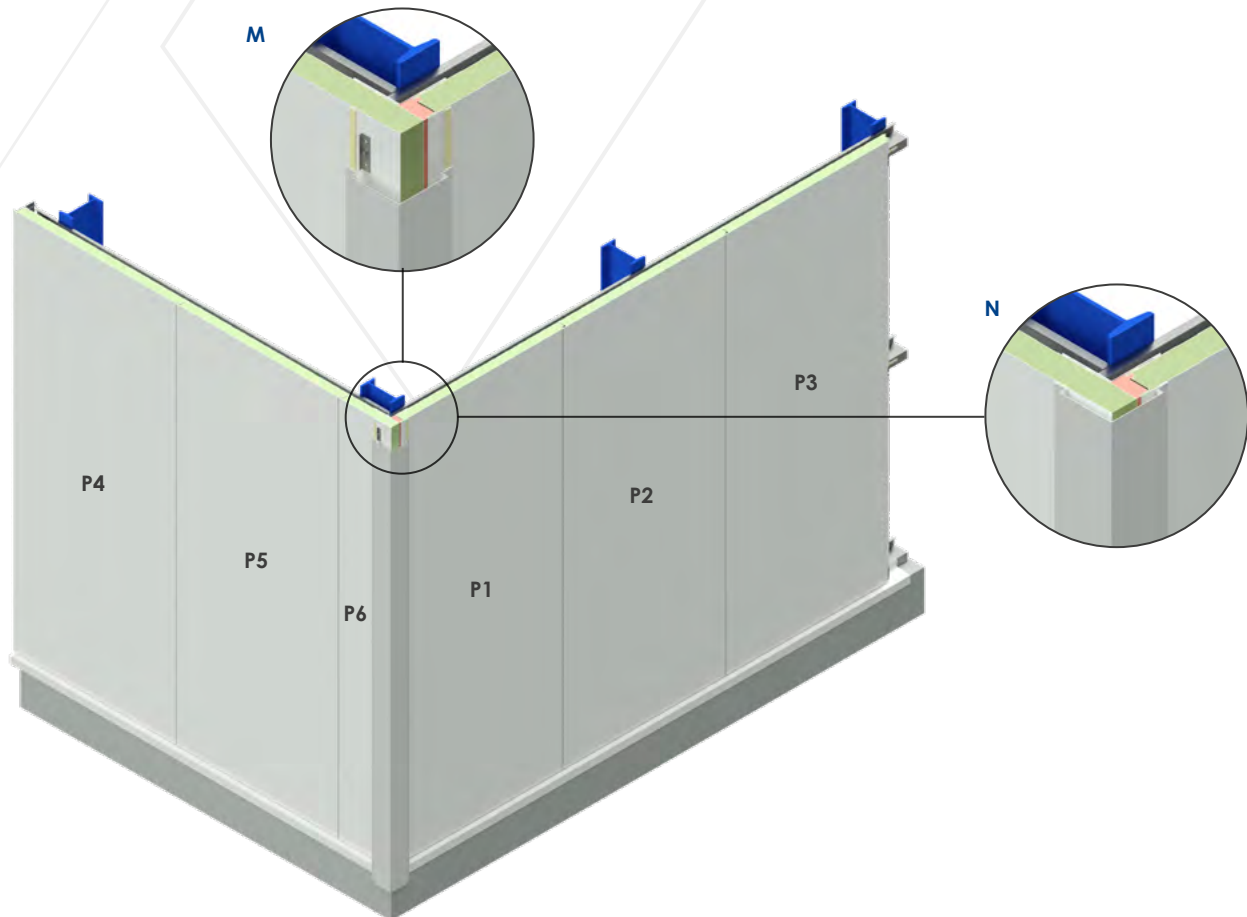
HI-ST

Installation vertical



Installation procedure

6. Laying the corner flashings.



M. Seal the gap between panels with single component polyurethane foam B-s1,d0 (or similar) to maintain the thermal insulation in the corners. Apply two sealant beads using a gun, along the lines that will coincide with both flanges of the corner flashing, in order to ensure the waterproofing.

N. Finished corner section.



ER-0947/1998



SST-0035/2010



GA-2003/0091



Huurre Ibérica S.A.U.

Crta. C-65, km 16
E17244 Cassà de la Selva

Girona (Spain)

☎ (+34) 972 463 085

📠 (+34) 972 463 208

✉ huurre@huurreiberica.com



HUURRE IBÉRICA reserves the right to modify the content of this document without prior notice. Every effort has been made to ensure that the content of this publication is accurate, but HUURRE IBÉRICA and its affiliated companies are not responsible for errors or information that may be misleading. Suggestions regarding the final use or application of the products or work methods are merely informative and HUURRE IBÉRICA and its subsidiaries do not accept any responsibility in this regard.