

HI-F INSERTS COLD STORAGE PANEL

Integrated fixing system



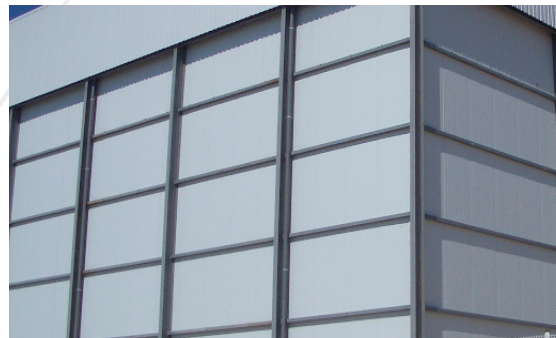
DATA SHEET

DESCRIPTION AND APPLICATIONS

Fixing solution without thermal bridge for the refrigerator sandwich panel on walls and ceilings.

Available in panel thicknesses from 80 mm and in various steel thicknesses and coatings suitable for contact with food.

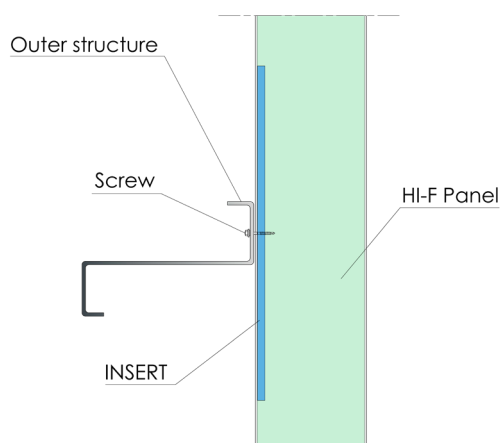
The panel is reinforced by placing an insert during the manufacturing process at the fastening point to the structure.



RESISTANCE OF FASTENING SYSTEMS

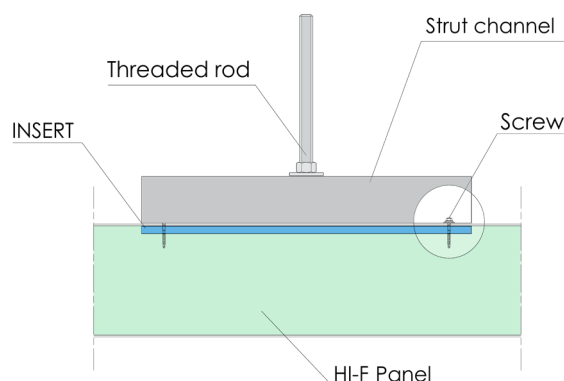
Panel with inserts and fastening screws

Design resistance $R_{d,ELU}$ ($g_M = 1,33$): 2,5 kN



Panel with inserts and strut channel

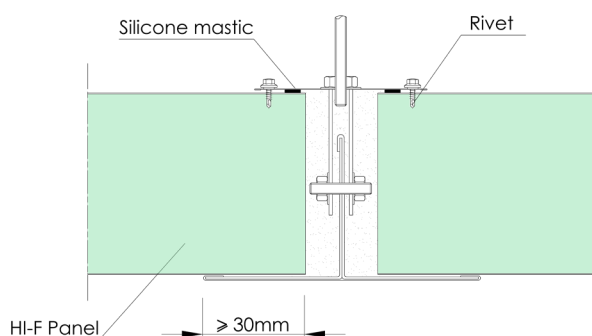
Design resistance $R_{d,ELU}$ ($g_M = 1,33$): 2,5 kN



Panel with steel T for ceilings

Design resistance $R_{d,ELU}$ ($g_M = 1,33$): 2,5 kN / ml / flange

Fastening spacing 1,20 m (M10)



HI-F INSERTS COLD STORAGE PANEL

Integrated fixing system

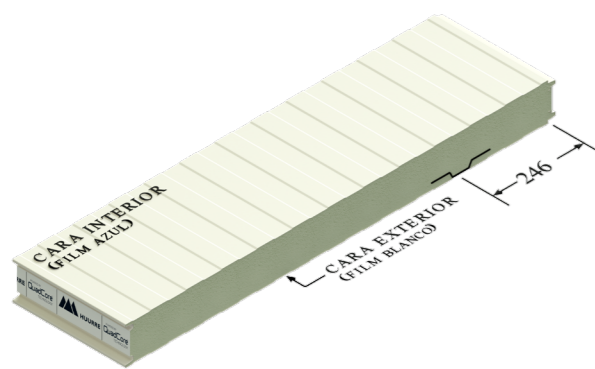
INSERTS ARRANGEMENT

In panels with differentiated faces, the insert can be placed both on the "outer face" and on the "inner face", because it is essential to respect the inner and outer face in the assembly process.

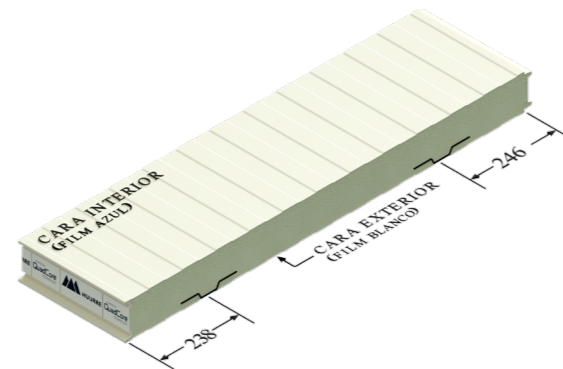
OUTER FACE ARRANGEMENT

Single insert

for wall cladding only



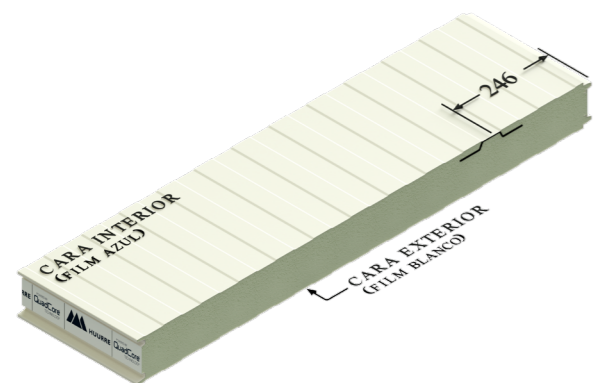
Double insert



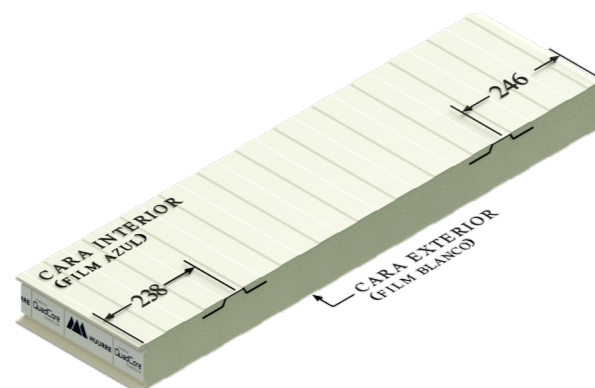
INNER FACE ARRANGEMENT

Single insert

for wall cladding only



Double insert



*The inserts are always placed in the third fret from the dovetail joint.

*In the single insert, the insert is always placed on the side of the male joint (as in the image)

HI-F INSERTS COLD STORAGE PANEL

Integrated fixing system

INSERT ARRANGEMENT

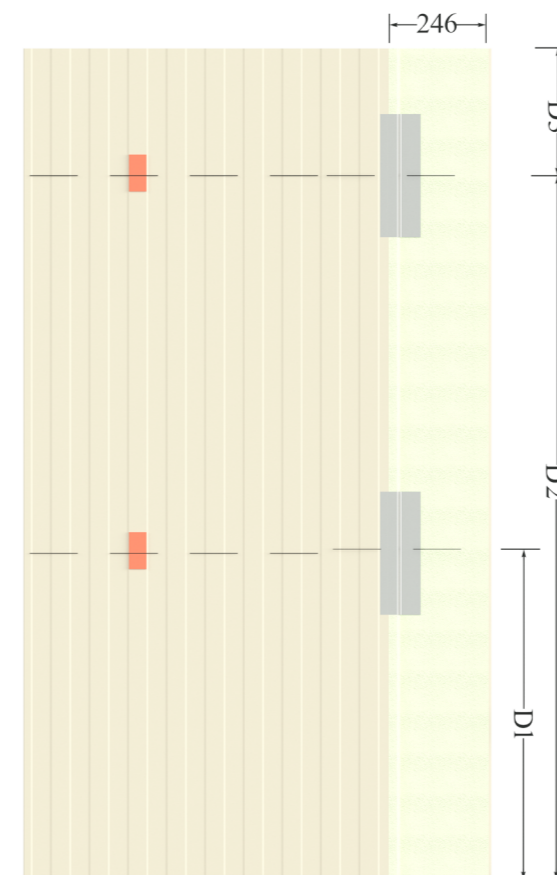
- Distances from panel edge to insert centers: $d1$, $d2$, $d3$, etc.
- $d1$ (distance from the center of the insert to the end of the panel) > 400 mm ⁽²⁾
- $d2-d1$ (inserts spacing) > 500 mm ⁽¹⁾
- $d3$ (distance from the center of the insert to the end of the panel) > 400 mm ⁽²⁾

(1) Valid for the insertion of 2 consecutive inserts. Consult for other cases.

(2) Consult for distances $d1$ or $d3 < 400$ mm.

Single insert

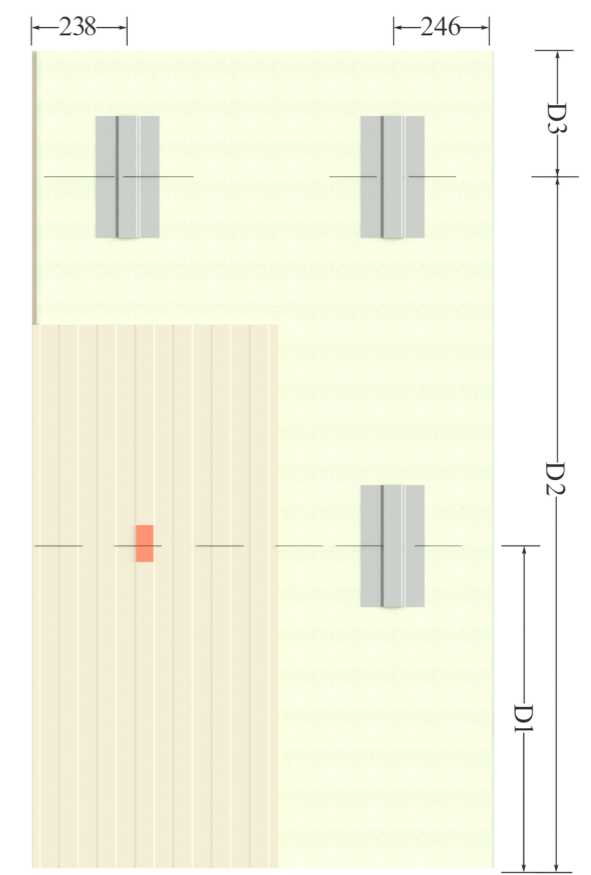
for wall cladding only



FEMALE JOINT

MALE JOINT

Double insert



FEMALE JOINT

MALE JOINT

Notes

- The label is not above the insert, it only indicates the position line of the insert ($D1/D2$).
- The insert is on the same side as the label.

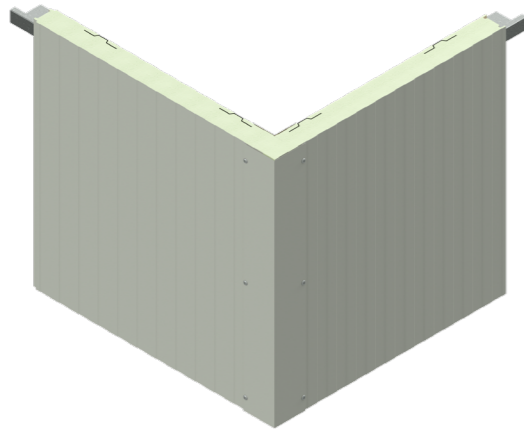
HI-F INSERTS COLD STORAGE PANEL

Integrated fixing system

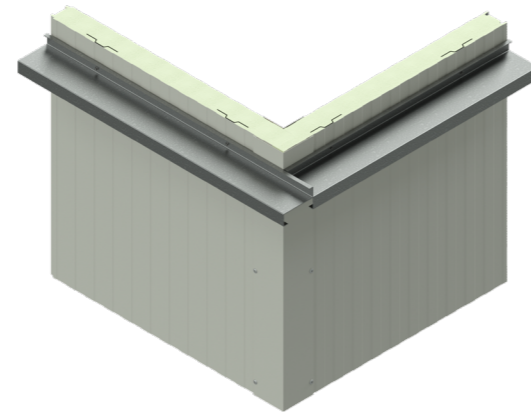
INSERT ARRANGEMENT

WALL ARRANGEMENT

Arrangement with inner frame with double insert

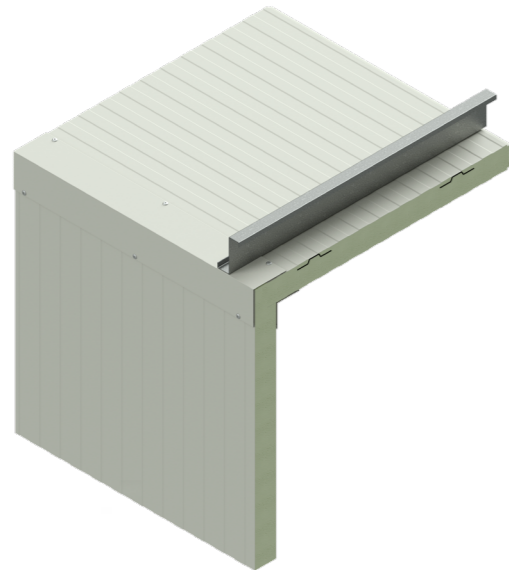


Arrangement with outer frame with double insert

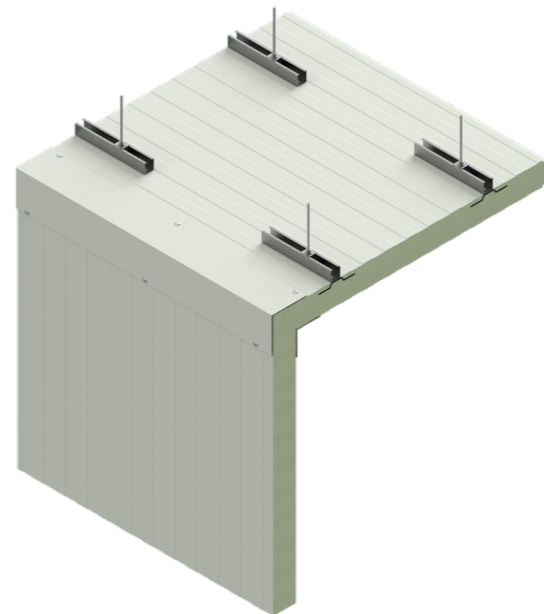


CEILING ARRANGEMENT

Arrangement with outer frame with double insert



Arrangement with strut channel with double insert



HI-F INSERTS COLD STORAGE PANEL

Integrated fixing system



Download the latest version by scanning the QR code or by clicking [here](#)

Huurre Ibérica S.A.U.
Carrer Serinyà 43
Polígon Industrial el Trust
E17244 Cassà de la Selva
Girona (Spain)
☎ (+34) 972 463 085
📠 (+34) 972 463 208
✉ huurre@huurreiberica.com